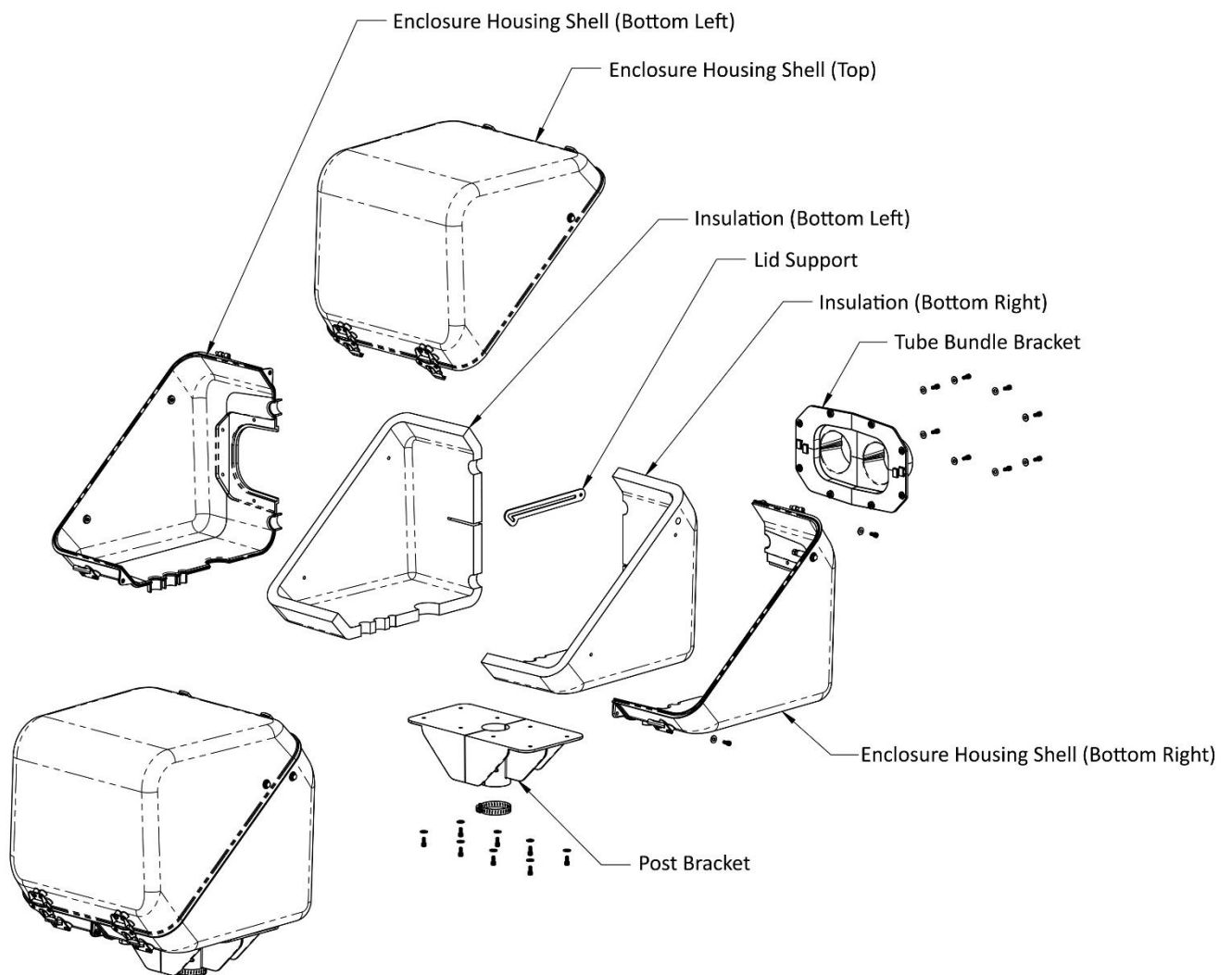


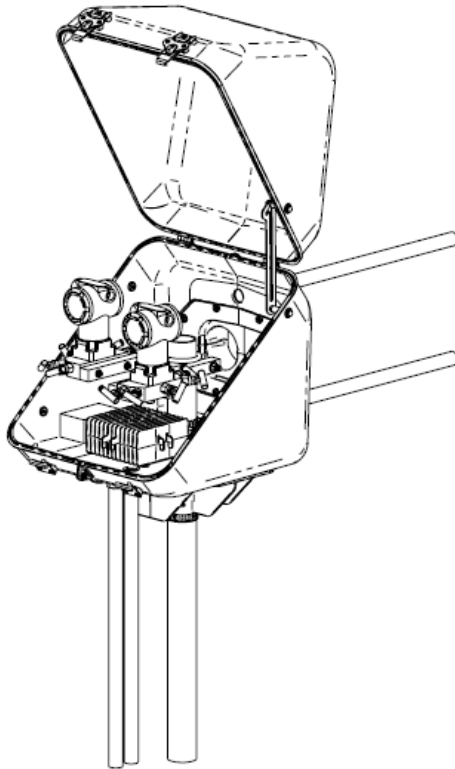


# ThermaGuard Enclosure Specifications



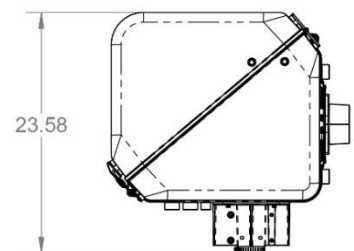
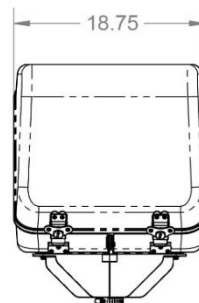
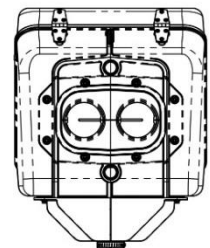
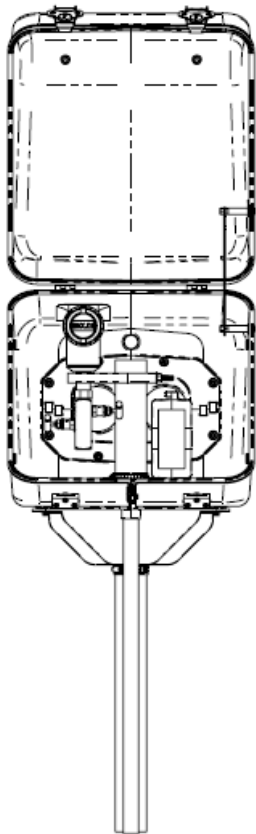
CONTACT: (281)-615-1429 (210)-219-2821 [sales@terrapiin-industrial.com](mailto:sales@terrapiin-industrial.com)  
ENC REV1-012523





## Specifications

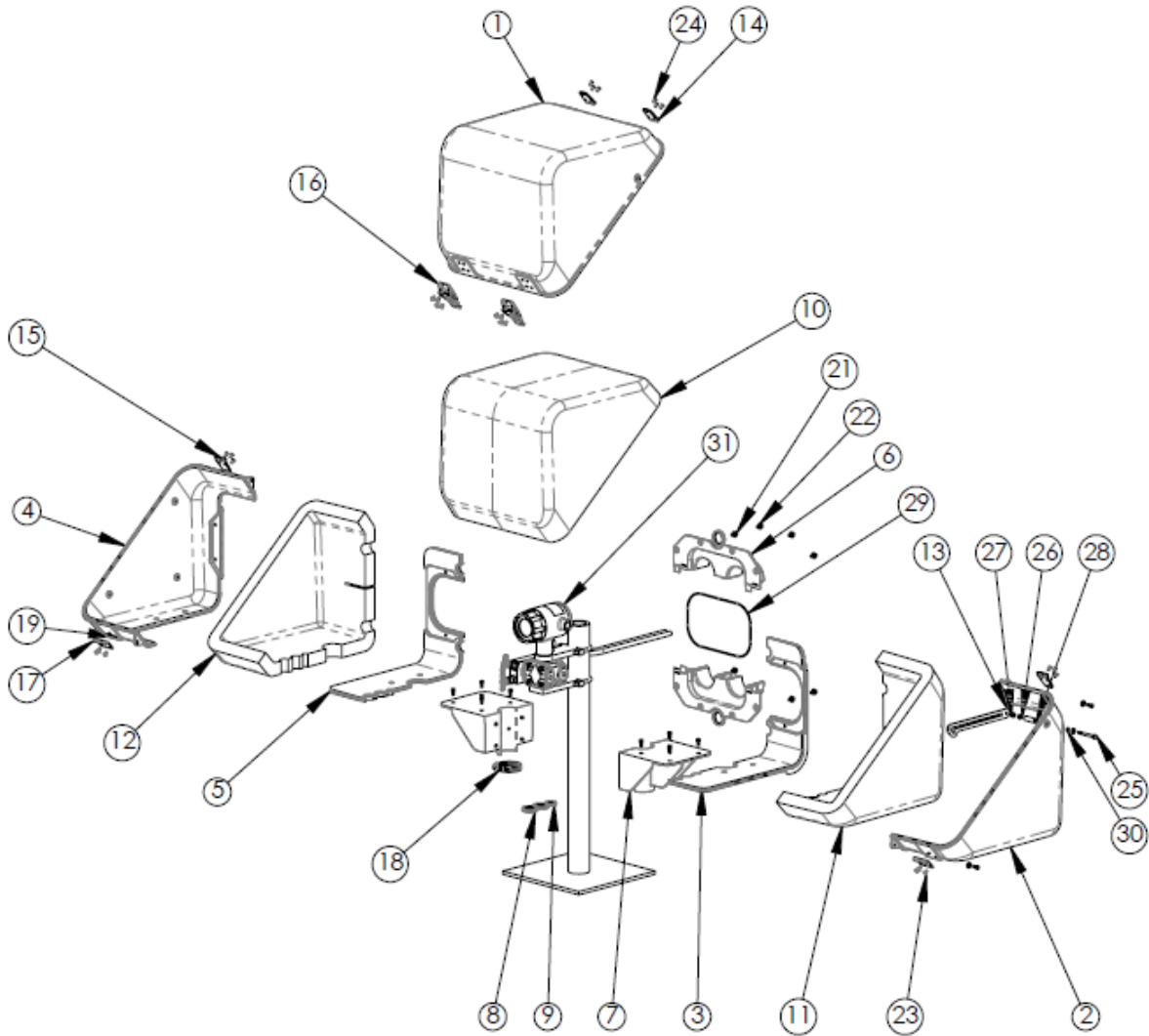
Outer Dimensions H x W x L:	23.58" x 18.75" x 23.61" 59.89cm x 47.62cm x 59.96cm
Inner Dimensions H x W x L:	21.95" x 17.92" x 23.08" 55.75cm x 45.51cm x 58.62cm
Material Thickness:	¼" (0.635cm)
Material Type:	ASA Plastic w/ glass reinforcement
Protection Standard:	IP 66
Temperature Rating:	> 75°F/23.9°C in -60°F/-51.1°C environment (with ThermaGuard Heated Liner)
Gasket Material:	Neoprene gaskets
Color:	Light grey
Approx. Weight:	15.8 lbs (7.167 Kg)
Pipe Stand Mount Size:	sch 40 2" pipe dia (2.375") sch 40 5.08cm pipe dia (6.03cm)
Lip Support:	(1) Stainless steel lid support
Hinges:	(2) Stainless steel hinges
Latches:	(2) Stainless steel latches
Hardware:	All Stainless steel hardware



CONTACT: (281)-615-1429 (210)-219-2821 sales@terrapin-industrial.com  
ENC REV1-012523



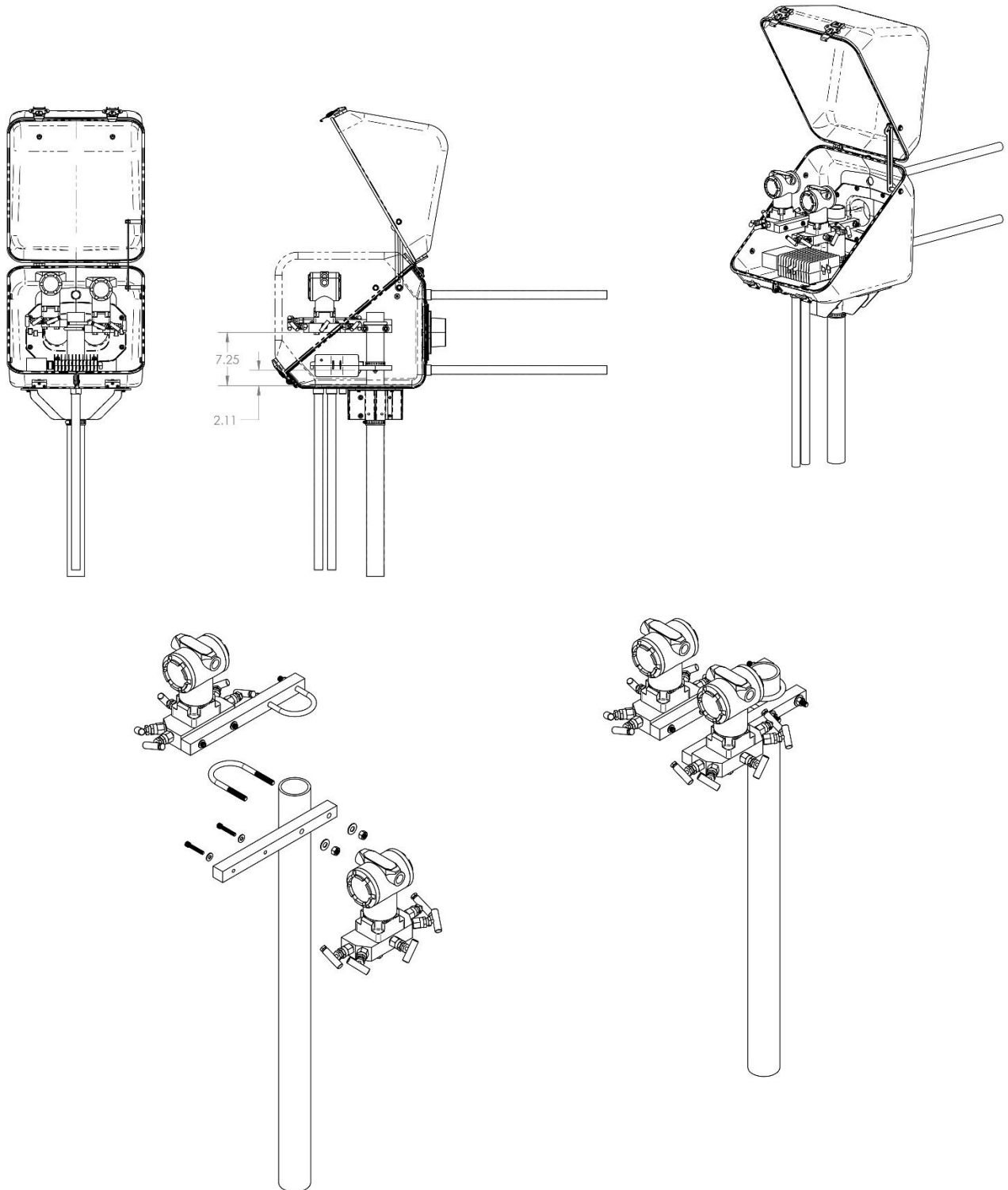
## ThermaGuard Enclosure Parts List



CONTACT: (281)-615-1429 (210)-219-2821 sales@terrapien-industrial.com  
ENC REV1-012523

**MADE IN  
AMERICA**

## ThermaGuard Instrument Unistrut Installation



CONTACT: (281)-615-1429 (210)-219-2821 [sales@terrapin-industrial.com](mailto:sales@terrapin-industrial.com)  
ENC REV1-012523

**MADE IN  
AMERICA**

	<b>Part</b>	<b>Qty</b>
<b>1</b>	Enclosure Housing (Top)	1
<b>2</b>	Enclosure Housing (Bottom Right)	1
<b>3</b>	L-Manifold (Right)	1
<b>4</b>	Enclosure Housing (Bottom Left)	1
<b>5</b>	L-Manifold (Left)	1
<b>6</b>	Tube Bundle Bracket (Top & Bottom)	1
<b>7</b>	Post Bracket (Right & Left)	1
<b>8</b>	Enclosure Housing Insulation (Top)	1
<b>9</b>	Enclosure Housing Insulation (Bottom Right)	1
<b>10</b>	Enclosure Housing Insulation (Bottom Left)	1
<b>11</b>	Enclosure Lid Support	1
<b>12</b>	Hinge McMaster (Top)	2
<b>13</b>	Hinge McMaster (Bottom)	2
<b>14</b>	Latch McMaster (Top)	2
<b>15</b>	Latch McMaster (Bottom)	2
<b>16</b>	Worm-Drive Clamps for Firm Hose & Tube	1
<b>17</b>	Spacer	2
<b>18</b>	Bolt .25-20 x 2.5"	2
<b>19</b>	SHCS .25-20 X .5	22
<b>20</b>	Washer .25	24
<b>21</b>	Nut .25-20	2
<b>22</b>	LockNut .25-20	2
<b>23</b>	Insert .25-20 x .3	22
<b>24</b>	Insert 10-32x.225	6
<b>25</b>	Plastite Screws 10x.5	12
<b>26</b>	Plastite Screws 10x.62	14
<b>27</b>	Same-Size Thread 18-8 Stainless	6

CONTACT: (281)-615-1429 (210)-219-2821 sales@terrapin-industrial.com  
ENC REV1-012523

